



«TiSO-PRODUCTION» Company

**INDOOR SINGLE
FULL-HEIGHT TURNSTILE
T1.1.BYO.XX**



SESAME

**OPERATION MANUAL
AUIA.001-03 OM**

2013

CONTENTS

	Page
INTRODUCTION.....	3
1 DESCRIPTION AND OPERATION.....	5
1.1 General Information and Designation.....	5
1.2 Specifications.....	6
1.3 Configuration and Completeness of Delivery.....	6
1.4 Design and Operation.....	7
1.5 Instrumentation, tools and accessories.....	11
1.6 Marking.....	11
1.7 Packing.....	12
1.8 Description and operation of controller as component of the turnstile.....	12
2 INTENDED USE.....	18
2.1 Operating limitations.....	18
2.2 Layout and installation.....	19
2.3 Preparation for use.....	19
2.4 Contingency actions.....	20
3 MAINTENANCE.....	20
3.1 General instructions.....	20
3.2 Safety measures.....	21
3.3 Maintenance procedure.....	21
4 ROUTINE MAINTENANCE.....	21
4.1 General instructions.....	21
4.2 List of possible malfunctions.....	21
4.3 Post repair checkout.....	22
5 TRANSPORTATION AND STORAGE.....	22
6 UTILIZATION.....	23
7 MANUFACTURER’S WARRANTY AND CONDITIONS OF INTERMEDIATE MAINTENANCE.....	23
Appendix A Design, overall and installation dimensions of the Indoor Single Full- Height Turnstile T1.1.BYO.XX.....	24
Appendix B Control panel and connection diagram.....	25
Appendix C Wiring diagram of the turnstile T1.1.BYO.XX.....	27

INTRODUCTION

This Operation Manual (hereinafter referred to as the OM), combined with certificate, covers the Indoor Single Full-Height Turnstile (hereinafter referred to as the turnstile). The Operation Manual contains information about design, specifications, installation, proper operation and maintenance of the turnstile.

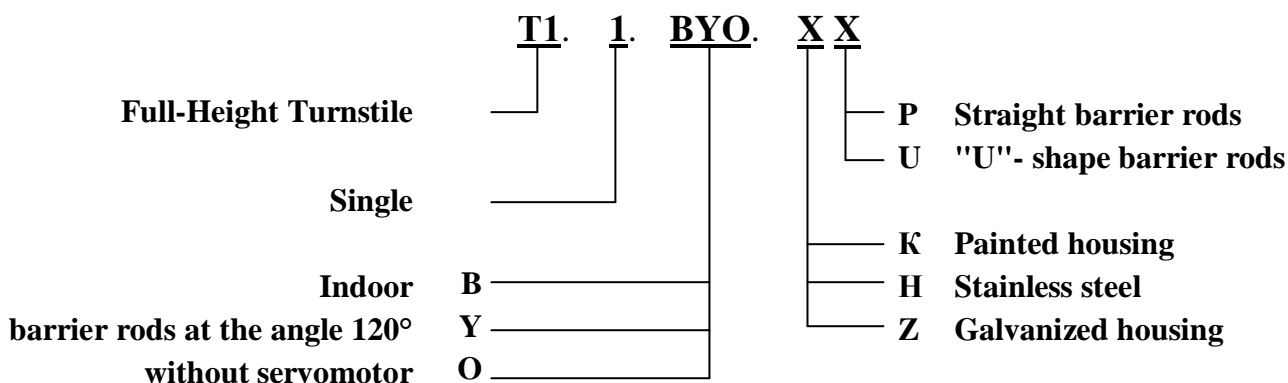
This Operation Manual is prepared in compliance with the specification requirements TU
U 31.6-31.6-32421280-003:2010.

The turnstile should be serviced only by the qualified staff having the relevant class of permit to work with electrical facilities with voltage up to 1000V, who carefully studied this Operation Manual, obtained safety instructions and trained for operation and maintenance of the turnstile.

Reliability and durability of the turnstile operation is provided with observation of modes and conditions of transportation, storage, installation and operation. So, fulfillment of all requirements specified in this document is mandatory.

In view of regularly performed works on improvement of the product, its design can be modified without degradation of parameters and quality of the product.

Depending on the purpose and design features of the turnstile, the following pattern of product reference designation is accepted:



Example of reference designation of the Single Full-Height Turnstile with straight barrier rods and galvanized housing without servomotor when the turnstile

T1.1.BYO.ZP TU U 31.6-32421280-003:2010 is ordered.

WARNINGS TO THE CUSTOMER ON SAFE OPERATION OF THE TURNSTILE

These warnings are designed for ensuring of safety during operation of the turnstile to prevent violation of safety characteristics by improper installation or operation. These warnings are aimed at drawing attention of the customer to safety problems.

GENERAL WARNINGS

Safety measures and requirements specified in this in this OM must be observed:

- the turnstile must be connected to ground loop prior to operation;
- the turnstile should be connected to AC network with parameters specified in the paragraph 1.2 «Specifications»;
- inspection, adjustment and repair should be performed only after the turnstile is deenergized.

After purchasing of the turnstile it should be unpacked and its integrity should be checked. In case of doubt in integrity of the turnstile it should not be used and the customer should refer to the supplier or to the manufacturer.

Packing accessories (wooden pallet, nails, clips, polyethylene bags, cardboard etc.) as potential sources of hazard must be removed to unacceptable place prior to proper use of the turnstile.

As electric shock protection device the turnstile is related to 01 protection class according to the GOST (State Standard) 12.2.007.0-75 and is not intended for operation in explosive and fire-hazardous areas by the «Rules for design of electrical installations».

Using of the turnstile for unintended purpose, improper installation, nonobservance of conditions of transportation, storage, installation and operation specified by this OM, may result in damage to people, animals or property for which the manufacturer is not responsible.

1 DESCRIPTION AND OPERATION

1.1 General Information and Designation

1.1.1 Name of product: Indoor Single Full-Height Turnstile

Climatic version: NF4

1.1.2 The turnstile is designed for pedestrian movement control at access points of industrial enterprises, banks, stadiums, administrative facilities etc. under actuation of control signals (coming from magnetic card readers, keypad etc.) of access control system or manually (from control panel). Traffic flow capacity of the turnstile without personal identification is at least 20 persons per minute.

1.1.3 Dimensions and weight of the turnstile correspond to the values are specified in the Table 1.

Table 1

Обозначение типоисполнения	Dimensions, mm			Max. weight, kg
	H	L	B	
T1.1.BYO.KP	2350	1207	1430	375
T1.1.BYO.HP				
T1.1.BYO.ZP				
T1.1.BYO.KU				
T1.1.BYO.HU				
T1.1.BYO.ZU				

1.1.4 The parameters defining operation conditions according to the GOST 15150-69 and the GOST 12997-84 are specified in the Table 2.

Table 2

Operation conditions	For climatic version	Parameter value
Ambient temperature	NF4	+1 to + 40°C
Relative humidity		80% at + 25°C
Ambient temperature allowable pressure		84 to 106,7 kPa
Transportation temperature range		- 50°C to + 50°C
Storage temperature range		+ 5 to + 40°C
Group of mechanical application		L3
Altitude above sea level		up to 2000m
Environment		Explosion-proof, does not contain current-conducting dust, aggressive gases and vapours in concentration destroying isolation and metals, disturbing normal operation of the equipment installed in turnstiles
Installation site	NF4	In enclosed spaces in the absence of direct impact of precipitations and solar radiation
Running position		Vertical, deviation from vertical position no more than 1° to any side is tolerated

1.1.5 Reliability indices:

- mean time to repair (without delivery time of spare parts, tools and accessories) – at most 6 hours;
- mean time to failure – at least 1 500 000 accesses;
- mean service life between overhauls – at least 10 years.

1.2 Specifications

Principal parameters of the turnstile are specified in the Table 3.

Table 3

Parameter description	Unit measure	Parameter value
Traffic flow capacity in free access mode is at least	man/min.	20
Max. passage width	mm	649
Supply voltage:		
– AC power supply (primary)	V Hz	100÷240 ~ 50/60
– DC power supply (secondary)	B	12
Max. power consumption	V·A	75
Index of protection according to GOST 14254-96	–	IP54

1.3 Configuration and Completeness of Delivery

1.3.1 Turnstile design

1.3.1.1 Design of the Single Full-Height Turnstile includes the following principal devices and components (see the Figure 1a, b):

- prefabricated arched structure including:
 - 1) passage wall;
 - 2) enclosure wall;
 - 3) frame;
 - 4) canopies;
- rotor;
- container with control mechanism;
- LED display;
- control panel;
- electrical equipment.

1.3.1.2 The turnstile modifications depend on the shape of barrier rods:

- 1) turnstile modification with straight barrier rods (reference designation T1.1.BYO.XP);
- 2) turnstile modification with "U"- shape barrier rods (reference designation T1.1.BYO.XU).

1.3.1.3 The turnstile modifications are manufactured from the following materials:

- carbon steel subject to painting (reference designation T1.1.BYO.KX);
- polished or brushed stainless steel (reference designation T1.1.BYO.HX);
- carbon steel subject to galvanization (reference designation T1.1.BYO.ZX).

The turnstile's basic modification is with straight barrier rods and painted steel housing (reference designation T1.1.BYO.KP).

Modification, overall and fitting dimensions of the turnstile are shown in the Appendix A.

1.3.2 Completeness of Delivery

The turnstile is supplied ready-to-install or by components.

Completeness of delivery is specified in the Table 4.

Table 4

Name of product	Product designation/parameters	Quantity, piece	Notes
Indoor Single Full-Height Turnstile	T1.1.BYO._____	1 kit	–
<u>Components</u>			
Control panel	AUIA.114.02.00.00	1	–

Canopies*		1 kit	–
Frame*		1	–
Frame installation kit	Screw M12 x 40.019 GOST 11738-84	11	To be delivered along with frame
	Washer 12.65G.019 GOST 6402-70	11	
Plastic plug		4	When kit of canopies is absent
Battery*	12V; 17A·h	1	Backup Power Supply
Turnstile installation kit (without frame)	Redibolt 92F112A2-0 (12×120 M10)	11	–
<u>Spare parts, tools and accessories</u>			
Spring*	AUIA.425.35.28.00.0.15	1	–
Certificate	AUIA.001-03 PS	1	–
Packing	–	1	–
* Optional			

When the turnstile is ordered ready-to-install it is delivered by two packages:

- 1) turnstile packing (without container), dimensions of which are (HxLxW): 2285x1586x1406mm;
- 2) container packing, dimensions of which are (HxLxW): 545x1606x486mm.

When the turnstile is ordered by components it is delivered by three packages:

- 1) rotor packing, dimensions of which are (HxLxW): 1030x2136x1126mm;
- 2) container packing, dimensions of which are (HxLxW): 545x1606x486mm;
- 3) frame and walls packing, dimensions of which are (HxLxW): 772x2186x1336mm.

1.4 Design and operation

1.4.1 Turnstile design

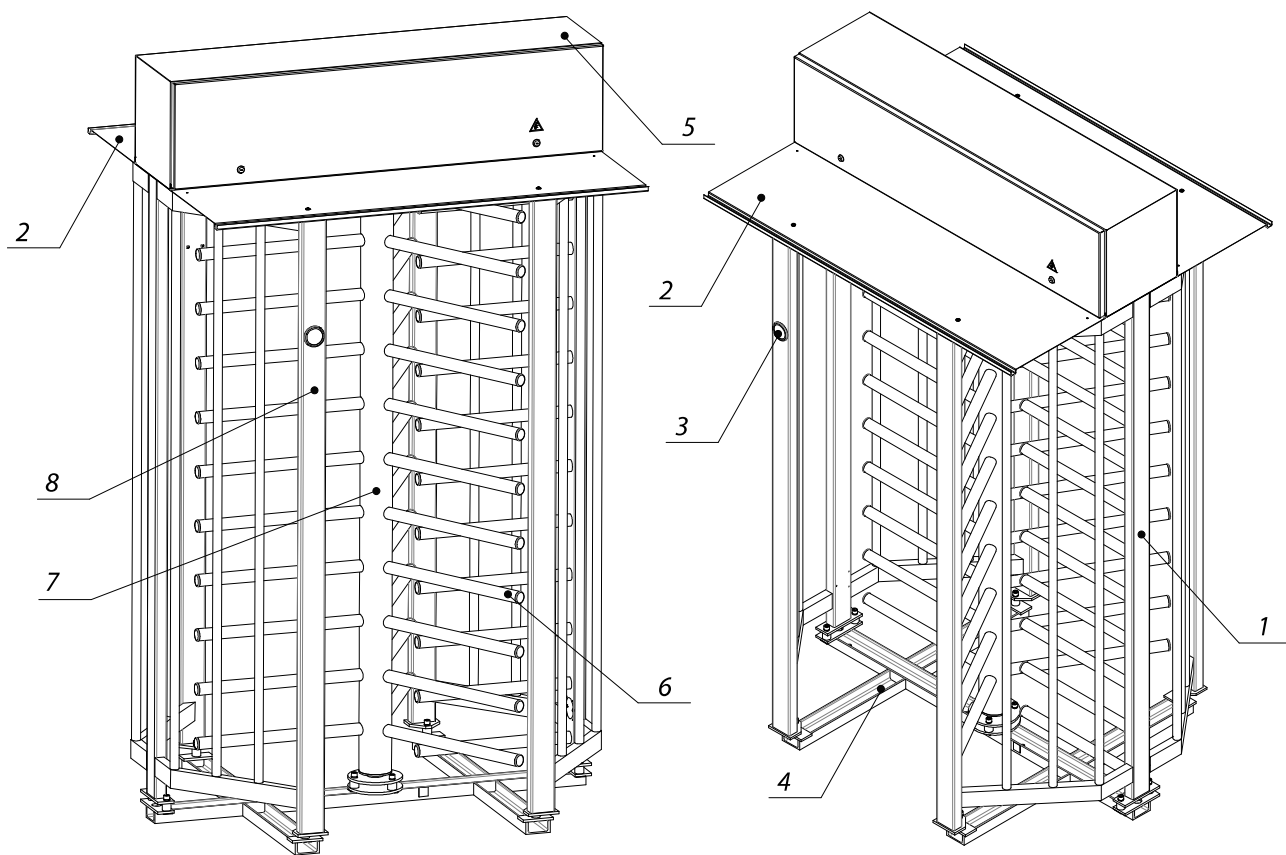
1.4.1.1 Prefabricated arched structure (see the Figure 1a, b) consists of enclosure wall 1, passage wall 8 and rotor 7. The top connecting bar of the structure is container 5, inside which the turnstile control mechanism and electrical equipment (power supply and control unit, battery, controller etc.) are located. At the top the arched structure is equipped with canopies 2, which are fixed to walls with self-tapping screws.

1.4.1.2 Revolving rotor 7, divided into three sectors, each of 120°, is located between passage and enclosure walls. The upper part of rotor is linked with shaft of control mechanism through halfcoupling. Support of revolving rotor and walls are fixed to frame or floor by means of Redibolt. A special space (airlock) is provided in the turnstile design that enables to use tight access control on site.

1.4.1.3 The control mechanism design (see the Figure 2) consists of bottom and upper plates (1 and 2), on which primary components of structure are located.

On the shaft between the plates ratchet gears (3 and 4) are located, which are locked with latches (5 and 6). In interlocking position with ratchet gears the latches are pushed by springs (7 and 8). Ratchet gears are disconnected by means of solenoids (9 and 10), which at actuation provide rotation of the relevant latches and unlocking of the relevant ratchet gear.

Rotor is driven to initial position (when ratchet gear with its tooth abuts against latch) by a closer consisting of profile cam (11), lever (12) with roller (13) and spring (14). Damping of dynamic loads arising during turning movement of rotor is provided by damper (16).



- | | |
|---------------------|---------------------------|
| 1 – enclosure wall; | 5 – container; |
| 2 – canopies; | 6 – straight barrier rod; |
| 3 – LED display; | 7 – rotor; |
| 4 – frame; | 8 – passage wall |

Figure 1a – Full-Height Turnstile with straight barrier rods

Control sensors of rotor initial position and direction of its rotation is optocoupling (18) operating in consolidation with sprocket disk (17) rigidly connected to the shaft of ratchet gears.

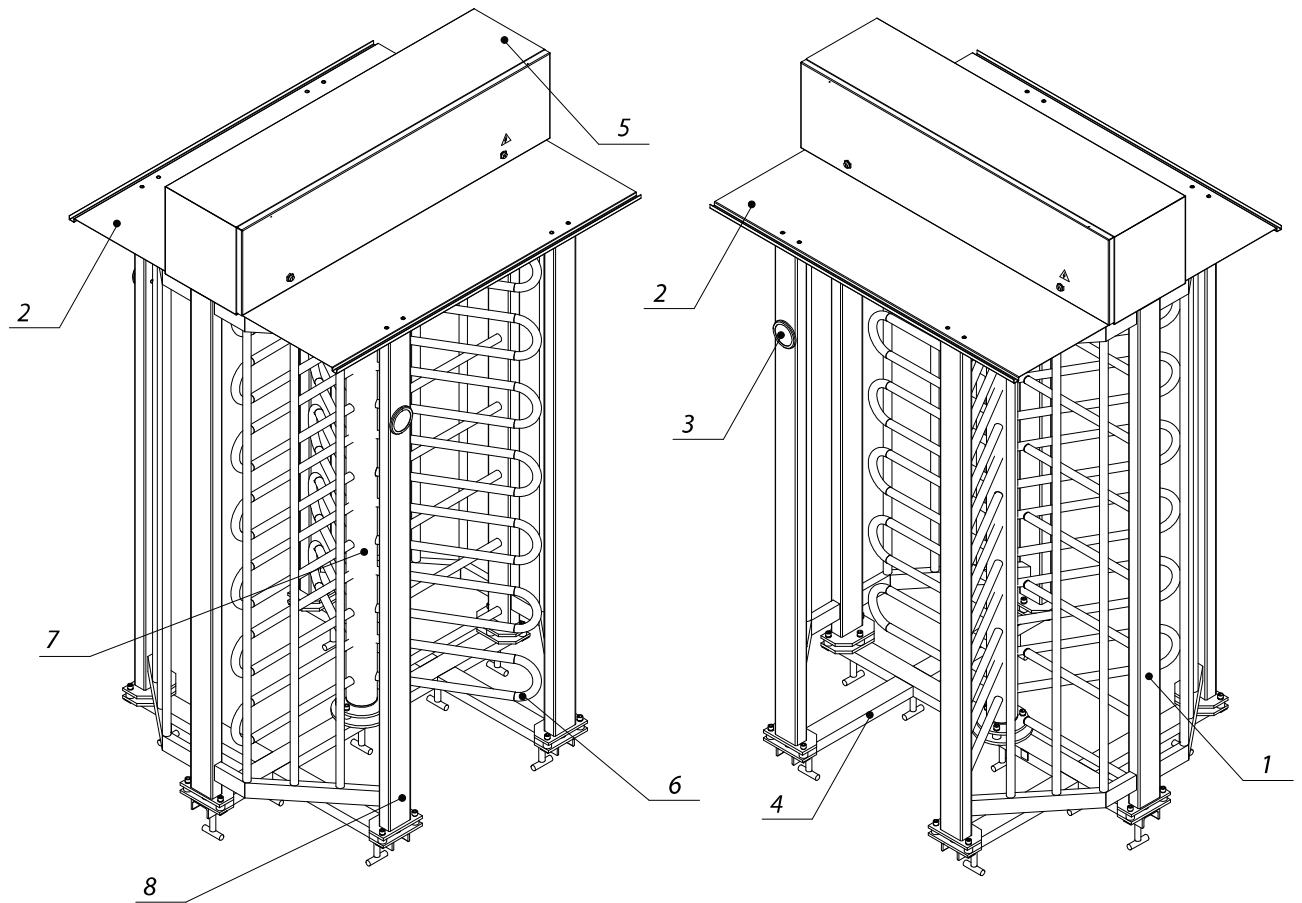
Locks (23 and 24) are designed for manual unlocking of the turnstile.

Position of mechanical unlocking locks is controlled by microswitches (25 and 26).

Solenoids (9 and 10) operate in «boost» mode (i.e. supply of additional voltage up to the level of 24V-27V) provided by microswitches (27 and 28) depending on position of latches.

1.4.1.4 Electrical equipment of the turnstile, installed and located inside container, is designed for operation control of actuating mechanisms and LED display of the turnstile both as a part of access control system and by means of control panel. Electrical equipment of the turnstile includes: controller, power supply, battery, wired and distribution electrical accessories.

1.4.1.5 LED displays are located on posts of the turnstile at the entrance and they are designed for visual display of information about definition and execution of instructions coming from control system (control panel, ACS or keypad) to actuating mechanisms of the turnstile.



1 – enclosure wall;
 2 – canopies;
 3 – LED display;
 4 – frame;

5 – container;
 6 – U-shape barrier rod;
 7 – rotor;
 8 – passage wall

Figure 1b – Full-Height Turnstile with U-shape barrier rods

1.4.1.6 Control panel is made as small desktop device in plastic case designed for setting and indication of operation modes when the turnstile is operated manually. Control panel and its connection diagram are shown in the Appendix B.

1.4.1.7 In order to ensure operation of the turnstile as a part of access control system (ACS) the following components are used as elements of this system:

- Complex of ACS technical means;
- ACS software;
- Card, badge etc. readers;
- Cards, badges etc;
- Airlocking keypad;
- Technical means of permit issuance.

The Manufacturer delivers the listed above as agreed by the parties under separate contract.

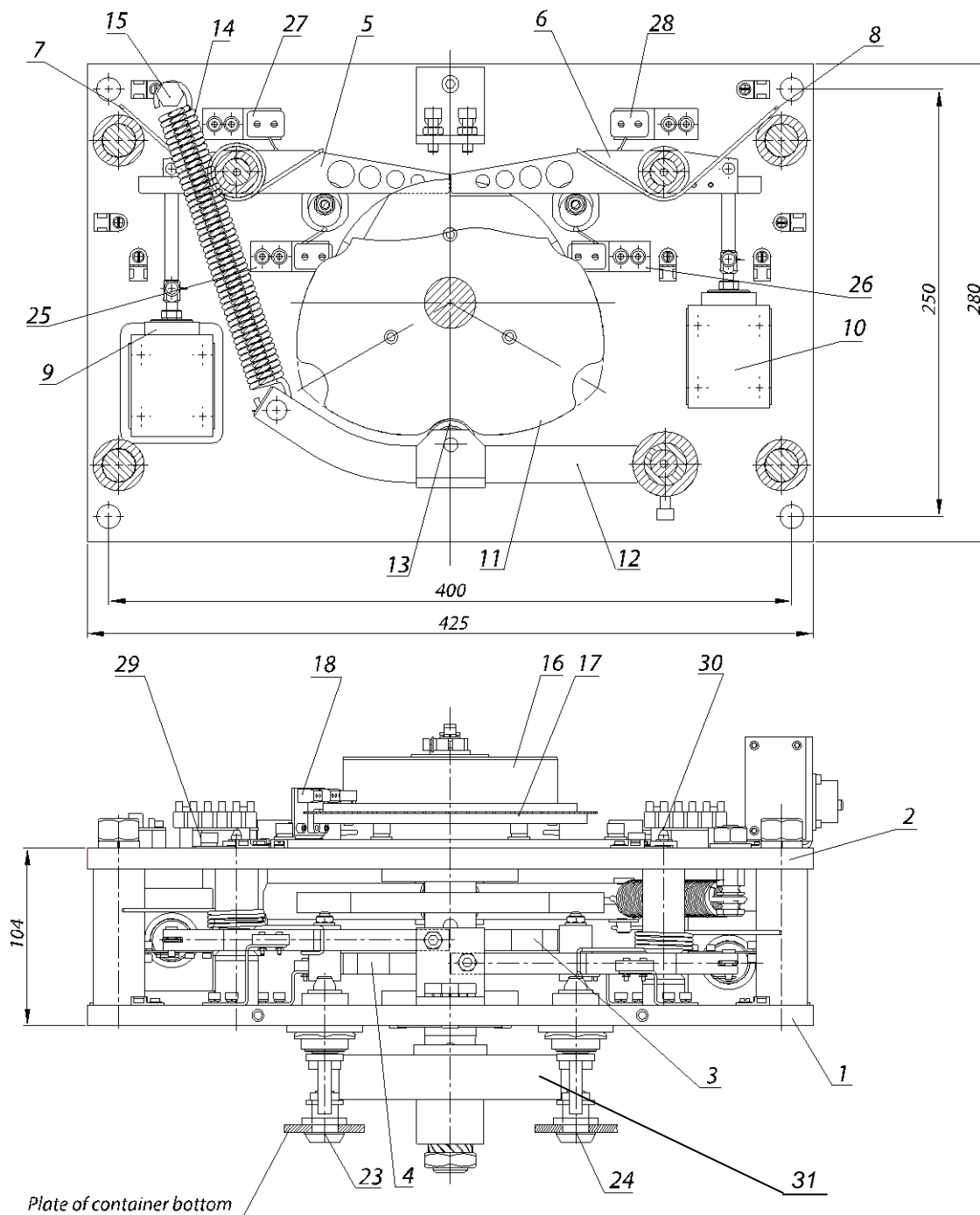
1.4.2 Principle of operation

1.4.2.1 In the initial state (when solenoids of control mechanism are deenergized) rotor is locked from rotation in both directions.

1.4.2.2 When access enabling command is given to controller in one of directions:

- Green arrow is lit on LED display;
- The relevant solenoid is energized;

- The turnstile is unlocked in the relevant direction and the turnstile accessor is able to revolve rotor manually to 120°.



- | | |
|-----------------------|---------------------------------|
| 1 – bottom plate; | 13 – roller; |
| 2 – upper plate; | 14 – spring; |
| 3, 4 – ratchet gears; | 15 – axis; |
| 5, 6 – latches; | 16 – damper; |
| 7, 8 – springs; | 17 – sprocket disk; |
| 9, 10 – solenoids; | 18 – optocoupling; |
| 11 – profile cam; | 23, 24 – locks; |
| 12 – lever; | 25, 26, 27, 28 – microswitches; |
| | 29, 30 – converters; |
| | 31 – half-coupling |

Figure 2 – Control mechanism

1.4.2.3 As soon as rotor starts revolving the red symbol « >< » is lit on the LED display.

1.4.2.4 Rotor is brought to initial (zero) position by closer of control mechanism and after that the turnstile is automatically locked from rotation in both directions.

1.4.2.5 When rotor reaches the angle 60°, its reverse movement is automatically locked. This position of rotor can be used for arrangement of airlock.

In the airlock mode rotor turns to the angle 60° and it is automatically locked from rotation. The accessor is in airlock. After code is dialed on the keyboard installed on the post of the passage wall and obtaining the access enabling command by control mechanism, another rotation of rotor to 60° is possible to exit the airlock.

More detailed description of the turnstile operation modes is given in the paragraph 1.8 «Description and operation of controller as component of the turnstile».

1.4.2.6 12V DC power voltage is provided by power supply unit.

1.4.2.7 When mains power supply is off, the turnstile is automatically switched to the power supply from 12V, 17A·h battery (optional), which ensures the turnstile's operation within at least 2 hours.

1.4.2.8 The turnstile's wiring diagram is shown in the Appendix C.



1.5 Instrumentation, tools and accessories

Dedicated tools are required for installation of the turnstile (multi-purpose measurement instrumentation and installation tools are enough).

1.6 Marking

1.6.1 Marking of turnstiles to be delivered within Ukraine is in Ukrainian language and for export delivery in English.

Each turnstile is marked as follows:

- name of manufacturer and trade mark;
- reference designation of turnstile modification;
- index of protection;
- serial number;
- value of voltage, type of current, frequency and current consumption;
- weight, kg;
- marks of conformity to , ;
- date of manufacture;
- inscription «MADE IN UKRAINE».

Marking plate is located on fixed metalware of the turnstile.

1.6.2 Marking of transportation packing contains as follows:

1) Information inscriptions:

- reference designation of the turnstile modification;
- dimensions of cargo package in centimeters;
- gross and net weight in kg;
- volume of package in cubic meters;
- contract number;
- name of consignee;
- name of exporter;
- full address of consignor;

2) Handling marks:

- «Fragile. Handle with Care»;
- «Keep dry»;
- «Centre of gravity»;
- «Top».

1.6.3 Shipping documentation is packed with bag from polyethylene film. Marking is applied on insert from cardboard or paper.

1.7 Packing

1.7.1 The turnstile is delivered ready-to-install.

Types of packing:

- consumer packaging (corrugated cardboard case);
- transportation packaging (cases from wood-fiber board or crates).

The turnstile is fixed from displacement in the middle of transportation package with LOCKING lumbers. Cushion pads are placed between the turnstile and lumbers.

1.7.2 Shipping documentation sealed in a bag from polyethylene film is enclosed to the package No.1.

1.8 DESCRIPTION AND OPERATION OF CONTROLLER AS COMPONENT OF THE TURNSTILE

1.8.1 Purpose of controller

The controller PCB.112.21.20.00 is designed for operation of full-height turnstile both from authorized access system (hereinafter referred to as AAS) and independently. It provides the required behavior of the turnstile in different operation modes as well as coordination of control commands from peripherals and generation of report signals.

Appearance of the controller is shown in the Figure 3.

1.8.2 The turnstile controller PCB.112.21.20.00

1.8.2.1 The controller is performed on the (104x68)mm card. Field-effect transistors are used to control solenoids and indicators.

19 light emitting diodes are installed on the controller card. Their purpose is as follows:

- 5 light emitting diodes display state of the external connection inputs «INP1» ÷ «INP5»;
- the light emitting diode «POWER» displays existence of 5V power supply voltage;
- the light emitting diode «OPERATE» displays operating capacity of microprocessor;
- 7 light emitting diodes display state of the external connection outputs «OUT1» ÷ «OUT7»;
- 3 light emitting diodes «SENSOR» display state of rotor position sensor;
- the light emitting diodes «RX» and «TX» display transceiving on serial port.

40 terminal clips for connection of wires are installed on the card, 14 of which are designed for external connections and the rest are designed for connection to the turnstile units or are standby.

1.8.2.2 Technical features

The controller technical features are specified in the Table 5.

Table 5

Parameter description	Parameter value
Number of inputs for reception of control commands	5
Number of signal outputs	7
Type of inputs	logical
Type of outputs	open collector
Voltage of logical «1»	(3÷5)V
Voltage of logical «0»	(0÷2,2)V
Maximum peak voltage supplied to the inputs «INP1» ÷ «INP5»	15V
Peak voltage switched by transistors of signal output transistors	50V
Peak current switched through signal outputs	0,1A
Power supply voltage of controller	(9÷15)V
Peak consumption current	0,15A
Number of signal transceiving serial ports (RS-485)	1

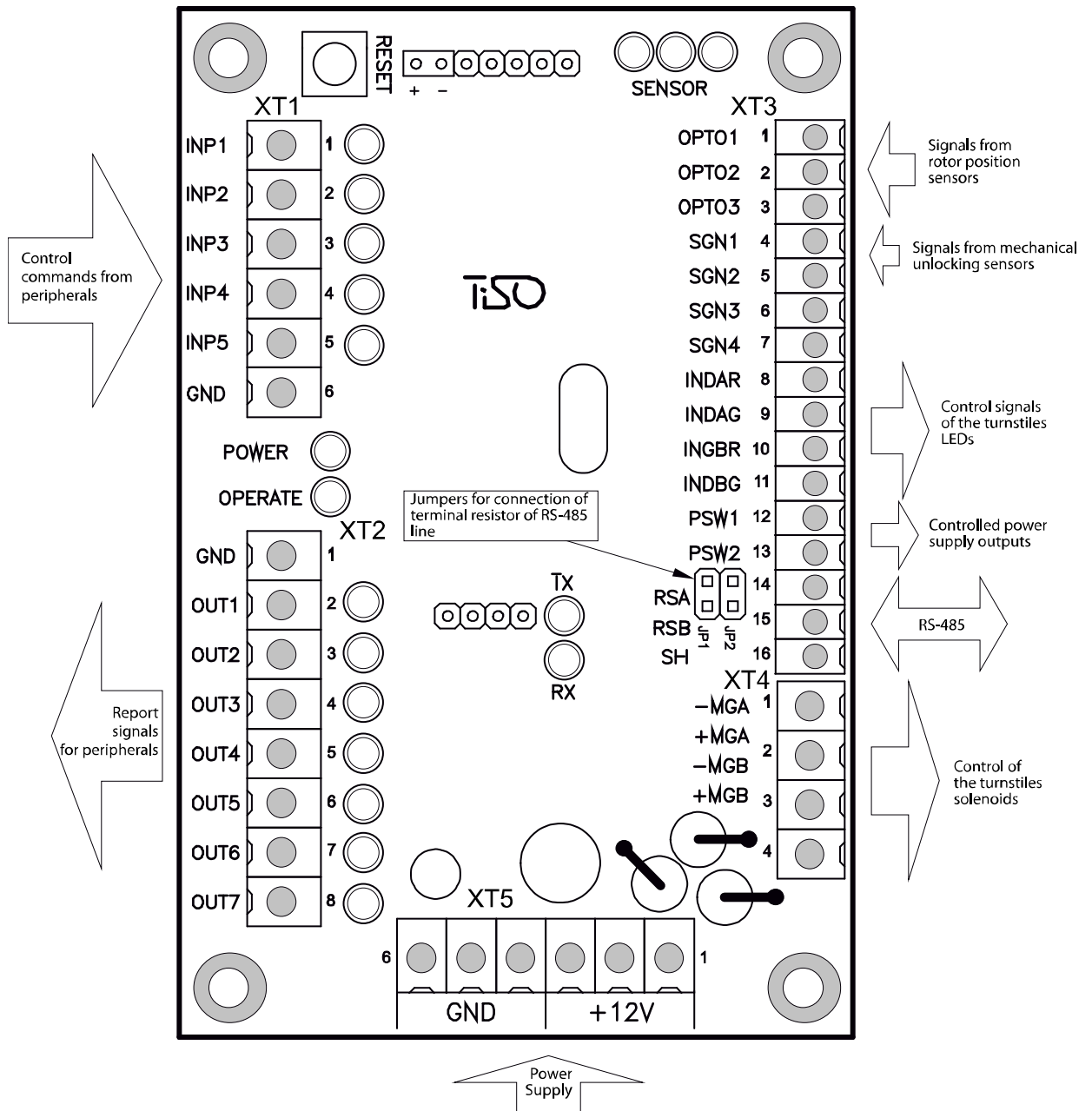


Figure 3 – Appearance of the controller PCB.112.21.20.00

1.8.3 Description of operation

Controller operates according to the program entered into memory of microprocessor. Mechanism and LED display of the turnstile are controlled depending on control commands and rotor position sensors based on the logic entered into program. Control commands can be transmitted via RS-485 (from control panel) or logical inputs by means of closing and opening «INP1» ÷ «INP5» on «GND». Controller (and therefore the turnstile) can be in «INITIAL STATE» (closed for access) or in one of the following access modes:

- «SINGLE ACCESS IN ONE DIRECTION WITHOUT AIRLOCK»;
- «SINGLE ACCESS IN ONE DIRECTION WITH AIRLOCK FUNCTION»;
- «FREE ACCESS IN ONE DIRECTION»;
- «MECHANICAL UNLOCKING IN ONE DIRECTION».

Other operating modes are combinations of various or identical basic modes in different directions:

- Single access in one direction without airlock and any of basic modes in opposite direction.
- Single access in one direction with airlock function and any of basic modes in opposite direction.
- Free access in one direction and any of basic modes in opposite direction.
- Mechanical unlocking in one direction and any of the above modes in opposite direction.

1.8.3.1 «INITIAL STATE»

Controller is in this mode if the commands «OPEN A/B» are absent and the turnstile rotor is set to the point 0°, 120° or 240°.

In this mode solenoids are deenergized and rotor is locked.

Red inhibit LED display is lit in both directions.

1.8.3.2 «SINGLE ACCESS IN ONE DIRECTION WITHOUT AIRLOCK»

In this mode controller unlocks rotor via solenoid in one direction with possibility of its rotation to 120°. It enables turnstile access of one pedestrian without a stop in the point 60° (airlock).

Controller goes to «SINGLE ACCESS IN ONE DIRECTION», if in «INITIAL STATE» it receives the command «OPEN A/B» (active level of signal is given to the input «INP4» or «INP5». Turnstile is open during action of signal). Command can also come through RS-485.

In this case, if command is received through the input «INP4» or «INP5», controller waits for «START» of rotor rotation during active status of signal on the relevant input «INP4» or «INP5» and if controller has received the command «OPEN A/B» though RS-485, then «START» of rotor rotation is expected before ending of delay «WAITING FOR START OF ACCESS».

Sequence of actions of controller after reception of the command «OPEN A/B» is as follows:

- Delay of «WAITING FOR START OF ACCESS» is initiated.
- Controller energizes solenoid and thus unlocks rotor in the relevant direction.
- LED display corresponding to authorized access is switched from red to green.

If during delay of «WAITING FOR START OF ACCESS» rotor rotation has started, then further behaviour of controller depends on the angle of rotor rotation:

- 6° of rotor rotation – LED display is switched from red to green indicating occupation of access. The output signal «START OF ACCESS A/B» («OUT1» or «OUT2») assumes active status. Delay of «WAITING FOR START OF ACCESS» is cancelled.
- 10° of rotor rotation – status of the relevant input «AIRLOCK A/B» is verified. If command is active, controller goes to the mode «SINGLE ACCESS IN ONE DIRECTION WITH AIRLOCK FUNCTION». If by this moment the command «AIRLOCK» of the relevant direction has not come, then controller further operates in the mode «SINGLE ACCESS IN ONE DIRECTION WITHOUT AIRLOCK».
- 58° of rotor rotation – the signal «START OF ACCESS A/B» («OUT1» or «OUT2») is cancelled and the signal «AIRLOCK POINT A/B» («OUT5») appears.
- 60° of rotor rotation – when this point is entered rotor can't be returned to the point 0° (in opposite direction) without the command «RETURN» («INP1») being given or actuation of the «FREE ACCESS» mode via RS-485 in opposite direction.
- 64° of rotor rotation – the signal «DETECTION OF ACCESS A/B» («OUT3» or «OUT4») is generated.
- 70° of rotor rotation – the relevant solenoid is deenergized preparing rotor for locking in the point 120° (0° for next access).
- 120° of rotor rotation – the signals «AIRLOCK POINT A/B» («OUT5») and the relevant signal «DETECTION OF ACCESS A/B» («OUT3» or «OUT4») are cancelled and after that availability of the command «OPEN A/B» («OUT3» or «OUT4») corresponding to the current direction of access is verified and if command by that moment is active then controller goes to the «FREE ACCESS» mode.

1.8.3.3 «SINGLE ACCESS IN ONE DIRECTION WITH AIRLOCK FUNCTION»

In this mode controller unlocks rotor via solenoid in one direction with possibility of its rotation to 60°. After that rotor can be unlocked in any direction that enables to arrange the second level of

identification and authorize completion of access or exit in opposite direction according to identification results.

Controller goes to the mode «SINGLE ACCESS WITH AIRLOCK FUNCTION», if in «INITIAL STATE» the command «AIRLOCK A/B» («INP2» or «INP3») is active. In this case controller, received the relevant command «OPEN A/B», goes to the mode «SINGLE ACCESS IN ONE DIRECTION WITH AIRLOCK FUNCTION».

Controller also goes to the mode «SINGLE ACCESS WITH AIRLOCK FUNCTION», if the turnstile has started to operate in one of directions in the «SINGLE ACCESS» mode, and when rotor reaches 10° angle the command «AIRLOCK» is activated in the direction of current access and later on access will be with airlock function.

Difference of controller operation in this mode from the mode «SINGLE ACCESS IN ONE DIRECTION WITHOUT AIRLOCK» is as follows:

- When rotor reaches the position 10° controller deenergizes the solenoid of current access and the solenoid of opposite direction, if in opposite direction «FREE ACCESS» is turned on.
- Rotor gets to 60° with two deenergized solenoids that results in its locking.
- After that rotor can be unlocked again in straight direction (the direction of continued access) by cancellation of the relevant command «AIRLOCK» («INP2» / «INP3») or by giving via RS-485 the command «FREE ACCESS» in the current direction. The difference is that having received via RS-485 the command «FREE ACCESS» rotor will not be locked in the current direction in the point 120°.
- From the position «AIRELOCK» rotor can't be unlocked for exit in opposite direction by giving the command «RETURN» (active level of signal on the input «INP1») or by giving via RS-485 the command «FREE ACCESS» in opposite direction. The difference is that having received via RS-485 the command «FREE ACCESS» via RS-485 rotor will not be locked in the point 0°.

1.8.3.4 «FREE ACCESS IN ONE DIRECTION»

In this mode rotor can rotate freely in the free access direction. In opposite direction rotor can rotate only up to the nearest locking point, i.e. to 60°. In the «FREE ACCESS» mode LED display of the relevant direction is blinking green.

Controller is switched to this mode in two cases:

- First – when the command «OPEN A/B» (input «INP4» or «INP5») is kept in active status in the moment of crossing by rotor of the point 120° when «SINGLE ACCESS» is finished.
- Second – immediately after reception of the command «FREE ACCESS» via RS-485 in the relevant direction.

After controller is switched to the «FREE ACCESS» mode the status of the command «AIRLOCK» of the relevant direction is of no importance and output signals «START OF ACCESS», «DETECTION OF ACCESS» and «AIRLOCK POINT» of the appropriate direction are not generated.

Quitting from this mode into «INITIAL STATE» is performed after cancellation of the command «OPEN A/B» or reception of the command «CANCELLATION OF FREE ACCESS» via RS-485. But it occurs not immediately and only when rotor reaches one of the start points 0°, 120° or 240°, i.e. if free access is cancelled during started access then it will be finished as free access.

1.8.3.5 «MECHANICAL UNLOCKING»

In this mode rotor can rotate freely in the direction of mechanically unlocked access. It is done in order to enable the turnstile access in case of emergency as well as when standby battery is completely discharged or malfunction of electronic equipment.

The turnstile is switched to this mode by turning of mechanical key. Having received signal from the microswitch related to mechanical key controller goes to the mode «MECHANICAL UNLOCKING» in the appropriate direction. Since in this mode controller is unable to have effect on passage operation, so LED display is identical to free access, that is: green LED display of unlocked access is

blinking and red LED display is OFF. No output signals related to mechanically unlocked access are generated.

Quitting from this mode is performed after turning of the key «MECHANICAL UNLOCKING» to initial state.

1.8.3.6 «PERMISSION OF SINGLE ACCESS IN BOTH DIRECTIONS»

Since the turnstile, having one rotor, is unable to rotate in both directions at a time, so controller can only unlock rotor in both directions and when access is started in one of directions the opposite direction will be closed.

Controller goes to this mode if it simultaneously receives the commands «OPEN A» and «OPEN B» in «INITIAL STATE». The second signal can also come when the first signal is already active but rotor has not started to rotate.

In this case:

- Controller unlocks rotor in both directions via solenoids.
- Both LED displays are switched from red to green.
- Two delays of «WAITING FOR START OF ACCESS A» are actuated for each access particularly, which are counted from the moment of coming of commands.
- Controller is waiting for starting of access.
- After rotor is turned to 6° in any side, the solenoid of opposite direction will be OFF, LED display will be switched to red and delay of «WAITING FOR START OF ACCESS» of opposite direction will be cancelled.
- Then controller is operating as it is described in the paragraph «SINGLE ACCESS IN ONE DIRECTION».
- If during active status of the signals «OPEN A» and «OPEN B» rotor is not turned to any side to the angle > 6°, then controller goes to «INITIAL STATE».

Purpose of the controller contacts designed for connection of peripherals is specified in the Table 6.

Table 6

Connector/c ontact No.	Description	Direction	Designation	Signal description and parameters
XT1/1	INP1 («RETURN»)	ENTRY	Command «Open from locked position in airlock in opposite direction»	1) logical «0» (0÷2,2)V; 2) logical «1» (3÷5)V; 3) active level of signal (factory setting) – logical «0»; 4) voltage on open input < 5V
XT1/2	INP2 («AIRLOCK A»)	ENTRY	Command «Lock rotor at 60° ». Command should be cancelled to unlock rotor in straight direction. If signal is available during entry after rotor reaches 15°, then rotor will be locked at 60°, otherwise rotor will be locked only at 120°	
XT1/3	INP3 («AIRLOCK B»)	ENTRY		
XT1/4	INP4 («OPEN A»)	ENTRY	Command «OPEN FOR SINGLE/FREE ACCESS»; free access appears when entry is kept in active status after timeout waiting for start of access (~ 5 s) is expired or from the moment when rotor reaches the angle 96°	1) logical «0» (0÷2,2)V; 2) logical «1» (3÷5)V; 3) active level of signal (factory setting) – logical «0»; 4) voltage on open input < 5V
XT1/5	INP5 («OPEN B»)	ENTRY		
XT1/6	GND (common)			
XT2/7	GND (common)			

XT2/8	OUT1 («START OF ACCESS A»)	EXIT	Signal is generated by controller when the command «OPEN» is received and rotor rotation in the same direction is detected	1) type of output – open collector; 2) peak voltage on privacy key 55V; 3) peak current of public key 100mA; 4) resistance of public key (5÷7)Ohm; 5) active level of signal (factory setting) – logical «0»	
XT2/9	OUT2 («START OF ACCESS B»)	EXIT			
XT2/10	OUT3 («DETECTION OF ACCESS A»)	EXIT			
XT2/11	OUT4 («DETECTION OF ACCESS B»)	EXIT			
XT2/12	OUT5 («AIRLOCK POINT»)	EXIT			Signal is generated by controller when rotor reaches the angle 54°
XT2/13	OUT6 («ERROR»)	EXIT			Signal is generated by controller when fault of behaviour is detected
XT2/14	OUT7 («PASSAGE IS OCCUPIED»)	EXIT			Signal is generated by controller starting from the angle 2° to 118°
XT3/15	OPTO1	ENTRY	Used for obtaining of information about turnstile rotor position	1) logical «0» (0÷2,2)V; 2) logical «1» – (3÷5)V; 3) active level of signal (factory setting) – logical «0»; 4) voltage on open input < 5V	
XT3/16	OPTO2	ENTRY			
XT3/17	OPTO3	ENTRY			
XT3/18	SGN1	ENTRY	Used for obtaining of information about mechanical unlocking of turnstile rotor		
XT3/19	SGN2	ENTRY			
XT3/20	SGN3	ENTRY	Not applicable		
XT3/21	SGN4	ENTRY			
XT3/22	INDAR	EXIT	Used for control of LED displays	1) type of output – open collector; 2) peak voltage on privacy key 30V; 3) peak current of public key 2A; 4) resistance of public key 0,1Ohm	
XT3/23	INDAG	EXIT			
XT3/24	INDBR	EXIT			
XT3/25	INDBG	EXIT			
XT3/26	PSW1	EXIT	Used for energizing of external units	1) type of output – open emitter; 2) voltage on output in ON state 12V; 3) peak current consumed from the output 1A; 4) resistance of public	
XT3/27	PSW2	EXIT			

				key 0,25Ohm
XT3/28	RSB		Used for data transmission via serial port	Interface RS-485
XT3/29	RSA			Interface RS-485
XT3/30	SH		RS-485 SCREEN	
XT4/31	- MGA	EXIT	Used for control of solenoids of rotor mechanism	1) type of output – open collector; 2) peak voltage on privacy key 50V; 3) peak current of public key 9A; 4) resistance of public key 0,11Ohm
XT4/33	- MGB	EXIT		
XT4/32	+ MGA		Connection of cathodes of protective diodes to positive output of solenoids power supply	
XT4/34	+ MGB			
XT5/35	+ 12V			1) voltage 12V; 2) consumption current < 150mA
XT5/36	+ 12V			
XT5/37	+ 12V			
XT5/38	GND (common)			
XT5/39	GND (common)			
XT5/40	GND (common)			

2 INTENDED USE

2.1 Operation limitations

2.1.1 The turnstile must be used in the environment specified in the p. 1.1.4 of this document subject to the specifications listed in the section 1.2.

2.1.2 IT IS PROHIBITED:

- 1) **UNINTENDED USE OF THE TURNSTILE** (see the section 1 «DESCRIPTION AND OPERATION»);
- 2) **TO USE THE TURNSTILE UNEARTHED;**
- 3) **TO USE HEATING PIPES AND RADIATIONS AS WELL AS PIPES OF CENTRAL WATER SUPPLY FOR EARTHING;**
- 4) **TO REPAIR AND ADJUST WITHOUT DEENERGIZING;**
- 5) **TO RELOCATE THE OBJECTS EXCEEDING THE PASSAGEWAY WIDTH THROUGH THE TURNSTILE ACCESS AREA;**
- 6) **TO JERK AND IMPACT ON BARRIER RODS, LED DISPLAY OR OTHER PARTS THE PRODUCT, WHICH MAY CAUSE THEIR MECHANICAL DEFORMATION OR DAMAGE.**

2.1.3 It is not allowed to use the turnstile:

- at the presence of mechanical rattle in movable parts of the turnstile;
- when metalwork of the turnstile and its components and accessories are mechanically damaged.

2.1.4 List of special conditions of operation

- Mean time of pedestrian turnstile access (in single access mode) equals to 3 sec.
- The turnstile mechanism enables to perform emergency unlocking with the use of key.
- The force applied by accessor to the center of barrier rod should not exceed 600 H.
- Escape door, portal or pedestrian gate can be installed near the turnstile to grow the turnstile traffic flow capacity growth in case of emergency.

ATTENTION: MANUFACTURER WARNS OF NECESSITY TO KEEP SEALS OF THE MANUFACTURER ON THE TURNSTILE'S COMPONENT PARTS!

2.2 Layout and installation

2.2.1 The turnstile and components of delivery kit are delivered to the installation site in the factory packing. The turnstile should be unpacked only on installation site.

2.2.2 Preparation of the turnstile for installation (dismounting) and commissioning should be performed according to this OM with mandatory observation of the safety measures specified in p. 2.1 and general electrical safety code.

2.2.3 The turnstile should be installed in the following sequence:

- inspect the turnstile for integrity, absence of visual damages and defects;
- verify the turnstile's completeness;
- prepare installation site for mounting of the turnstile: surface should be plain, hard and without defects (corrugations, overlaps etc.);
- prepare cable conduits and holes for the turnstile fixation;
- walls 1 and 8, rotor 7 (see the Figure 1) are installed and fixed on the frame 4 installed on the prepared site. Container 5, canopies 2 are installed on the top. Control mechanism and rotor are aligned as per one axis and connected by means of half-coupling.

For proper installation the rotor should be turned so that a barrier rod aligned with rotor pin as per single axis bars the turnstile access, i.e. corresponds to the turnstile position «CLOSED» (see the Appendix A).

Installation and fixation of the turnstile should be performed only after pulling of all the turnstile electrical connection cables. The turnstile should be fixed on installation site by means of Redibolt (anchor with jacket and crew).

Make sure that the installed turnstile is stable and after that open both locks of mechanical unlocking by means of keys and check rotor rotation by hand: rotor should easily rotate to both sides. Fixation of structure, final installation of smaller units and wiring should be performed according to the wiring diagram (see the Appendix C);

- the turnstile should be grounded;
- to actuate the turnstile it is necessary to provide the input of UPS with AC voltage.

2.3 Preparation for use

2.3.1 Commissioning instructions

Prior to energizing of the turnstile:

- 1) make sure of proper connection and good condition of all connecting cables;
- 2) clear the rotor rotation area from foreign particles;
- 3) verify by keys that locks of the turnstile mechanical unblocking are closed (turnstile is mechanically locked).

When mains cable of power supply unit is connected to the network, solenoids of the turnstile control mechanism are energized, rotor is locked from rotation in both directions barring access.

The turnstile is set in initial state: entry and exit LED displays are red («><» is lit).

2.3.2 Required inspections

2.3.2.1 When the turnstile is commissioned it is necessary to perform inspections specified in the Table 7. During inspections the wiring diagram according to the Appendix C and the control panel according to the Appendix B should be used.

Table 7

Operation Mode	Mode Setting	LED Display
1 Turnstile is closed in both directions (initial state)	–	Red LED display is lit
2 Single access in one direction	Push the «SINGLE» access button to access in selected direction («A» or «B»)	Green arrow of single access is lit in chosen direction and red LED display is lit in opposite direction

3 Single access in both directions	Push both «SINGLE» access buttons to access in two directions («A» or «B»)	Green arrows of single access are lit in both directions
4 Free access in one direction	Push the «FREE» access button to access in the selected direction («A» or «B»)	Green arrow of free access in chosen direction is blinking and red LED display is lit in opposite direction
5 Free access in both directions	Push both «FREE» access buttons to access in two directions («A» or «B»)	Green arrow of authorized free access is blinking in chosen direction and green arrow is blinking
6 Single access in one direction and free access in opposite direction	Push the «SINGLE» access button to access in the selected direction and «FREE» access button to pass in opposite direction	Green arrow of authorized single access is lit in chosen direction and green arrow of authorized free access is blinking in opposite direction
7 Single access in one direction and locked access in opposite direction	Push the «SINGLE» access button to access in the selected direction («A» or «B») and the «LOCK» button to lock access in opposite direction	Green arrow of authorized single access is lit in chosen direction and red LED display is blinking in the locked access direction
8 Free access in one direction and locked access in opposite direction	Push the «FREE» access button to access in selected direction («A» or «B») and the «LOCKING» button to lock access in opposite direction	Green arrow of authorized free access is blinking in chosen direction and red LED display is blinking in the locked access direction
9 Locked access in one direction	Push the «LOCKING» button to lock access in selected direction («A» or «B»)*	Red LED display of locked access in one chosen direction is blinking
10 Locked access in both directions	Push both «LOCKING» button to lock access in two directions («A» or «B»)**	Red LED display of locked access in both directions is blinking
* In this case other control panel buttons of single and free access in chosen direction are locked		
** In this case all control panel buttons of single and free access in both directions are locked		

2.3.2.2 The turnstile is ready for long-term operation.

2.4 Contingency actions

In case of emergency evacuation from rooms and provision of free personnel exit the turnstile can be unlocked from control panel by sending the relevant command or manually by turning locks with key in the bottom part of container.

3 MAINTENANCE

3.1 General instructions

3.1.1 Commissioning and subsequent maintenance of the turnstile should be performed only by the staff to be in charge of the turnstile.

3.1.2 The turnstile can be serviced only by the staff having the relevant electrical safety qualification level according to the national requirements.

3.1.3 The turnstile should be installed and operated only by the qualified safety instructed staff having the relevant class of permit to work with electrical facilities with voltage up to 1000V, being aware of this OM, design and the turnstile's principle of operation.

3.2 Safety Measures

3.2.1 During maintenance of the turnstile the relevant safety measures, specified in p. 2.1, must be observed.

IT IS FORBIDDEN TO USE DEFECTIVE APPLIANCES, TOOLS, FUSES, INSTRUMENTATION SERVICE LIFE OF WHICH EXPIRED. MEASURING DEVICES, WHICH TERM OF CHECKING EXPIRED.

3.2.2 When instrumentations are prepared for operation it is necessary to comply with the safety requirements specified in instrumentation instruction manuals.

3.3 Maintenance procedure

3.3.1 Maintenance of the turnstile includes preventive measures which are taken according to established frequency to maintain the turnstile in operational condition, decreasing of component wearing and prevention of faults and malfunctions.

3.3.2 Daily and periodic maintenance of the turnstile are recommended.

Normally the daily maintenance is carried out before the beginning of work or during operational timeout and includes visual inspection of the turnstile's housing, and, if required, mechanical troubleshooting, elimination of corrosion and surface pollution.

IT IS FORBIDDEN TO USE ABRASIVE AND CHEMICALLY ACTIVE SUBSTANCES DURING CLEANING OF CONTAMINATED EXTERNAL SURFACES OF THE PRODUCT.

3.3.3 Periodic maintenance for the purpose of troubleshooting includes as follows:

- monthly periodic maintenance (maintenance-1): visual inspection of control mechanism for the present of deformations and other defects, checking of soft movement of latches and absence of jamming and gripping, checking of correct traveling of closer. Furthermore, optocoupler 18 and sprocket disk 17 are inspected (see the Figure 2). Optocoupler gap and sprocket disk surfaces are cleaned from dust and dirt and tightening of screw fastenings of turnstile units to frame, if necessary;
- semiannual periodic maintenance (maintenance-2) includes all activities of the maintenance-1 as well as checking of solenoid consumption current, the value of which should not exceed 2,5A in the sucking mode and 0,15A in retention mode, lubrication of latch axes of with grease lubricant of solid oil type;
- annual periodic maintenance (maintenance-3) includes all the maintenance-2 activities as well as the following:
 - 1) checking of fixation of optocoupler 18 and functional gap size in relation to the disk;
 - 2) checking of optocoupler 18 regarding the absence of alarm related to movement during swinging of rotor shaft in both sides until latches touch functional surfaces of ratchet gears;
 - 3) checking of status of pressure rollers of microswitches 27 and 28 as well as replacement of microswitches, if necessary;
 - 4) checking of status of roller 13 and its replacement, if necessary;
 - 5) checking of status of grommets connecting rotors and control mechanism and their replacement, if necessary.

4 ROUTINE MAINTENANCE

4.1 General instructions

Possible malfunctions of the turnstile listed in the Table 8 are remedied by the customer. More complicated malfunctions are remedied by manufacturer's representative.

ATTENTION: INSPECTION, CLEANING, REPAIR OF THE TURNSTILE'S COMPONENTS MUST BE PERFORMED ONLY AFTER DEENERGIZING OF THE TURNSTILE!

4.2 List of possible malfunctions

List of possible malfunctions and their remedies are specified in the Table 8.

Table 8

Symptom	Possible cause	Remedy
1 Increased vibration during turnstile operation	Tightening of arched structure screw joints is loosened	Screw joints of framed elements to be tightened
	Bearing of rotor support is out of order	Bearing to be replaced
2 Rotor does not reach zero position while turning	Spring of closer is loosened	Spring to be replaced
3 LED display does not operate in the preset mode	Electric circuit is broken	Malfunction to be identified and remedied
	Fault of controller operation	Supplier to be consulted
	LED is out of order	LED to be replaced
4 Turnstile does not provide unlocking of rotor	Voltage on solenoids is absent	Voltage 12V in circuit of solenoids to be checked. If voltage is lower than 12V – refer to p.5 of this table
	Electric circuit is broken	Malfunction to be detected and remedied
	Solenoid is out of order	Solenoid to be replaced
	Adjustment of solenoid is disrupted	Stroke of solenoid stem to be adjusted
5 Voltage 12V is not provided	Power supply unit is out of order	Power supply unit to be replaced
	Electric circuit is broken	Malfunction to be detected and remedied
	Low voltage in circuit	Voltage in the power network to be checked and origin of voltage drop to be remedied
6 Turnstile operation is not provided from battery within 2 hours when power supply is cutoff	Battery is discharged	Battery to be maintained according to instruction manuals
	Battery service life expired	Battery to be replaced

4.3 Postrepair checkout

After repair the turnstile operating capacity is checked by means of control panel according to the Table 7.

5 TRANSPORTATION AND STORAGE

5.1 It is forbidden to subject the turnstile to jerks and impacts during storage. For lifting and handling of the turnstile it is necessary to use transportation trolleys. In storage facility there should not be aggressive gases and vapours causing corrosion. Storage ambient temperature should not be below +5°C and above +40°C and relative humidity should not be more than 80% at the temperature 20°C.

5.2 The ready-to-install turnstile is transported in railway or special containers, closed vehicle, waterborne (in ship's hold) according to transportation regulations related to the relevant mode of transport.

Transportation on open platforms is allowed. In this case the packed turnstile should be covered with canvas. Ambient temperature during transportation should not be below - 50°C and above +50°C.

After transportation or storage of the turnstile at negative temperatures or increased humidity the turnstile should be kept indoor with normal climatic conditions without original packing within 12 hours before commissioning:

- 1) ambient temperature: + 15°C to +35°C;
- 2) relative humidity: 45% to 80%;

3) atmospheric pressure: 84,0 to 106,7kPa (630-800 mm Hg).

6 UTILIZATION

The turnstile does not contain hazardous materials and special measures are not required during its utilization.

7 MANUFACTURER'S WARRANTY AND CONDITIONS OF WARRANTY MEAINTEANCE

7.1. The manufacturer guarantees good state and declared quality of the turnstile if conditions of transportation, storage, installation and operation are observed by the consumer.

7.2 The warranty period of the turnstile from the date of sale is 12 months, unless otherwise specified by mutual agreement.

Manufacturer:
«TiSO-PRODUCTION» Company
72 Yamskaya str., 03680, Kiev, Ukraine
Tel.: +38 (044) 461-79-69
Tel./Fax: +38 (044) 586-46-47
E-mail: export@tiso.ua, log1@tiso.ua
www.tiso-turnstiles.com

Our equipment complies with requirements of the European Standards:

EN ISO 12100:2010; EN 614-1:2006+A1:2009; EN 1037:1995+A1:2008; EN 60204-1:2006; EN 953:1997+A1:2009; ISO 3864:1995; EN ISO 13857:2008; EN ISO 13849-1:2006; EN 1088:1995; EN ISO 13732-1:2008

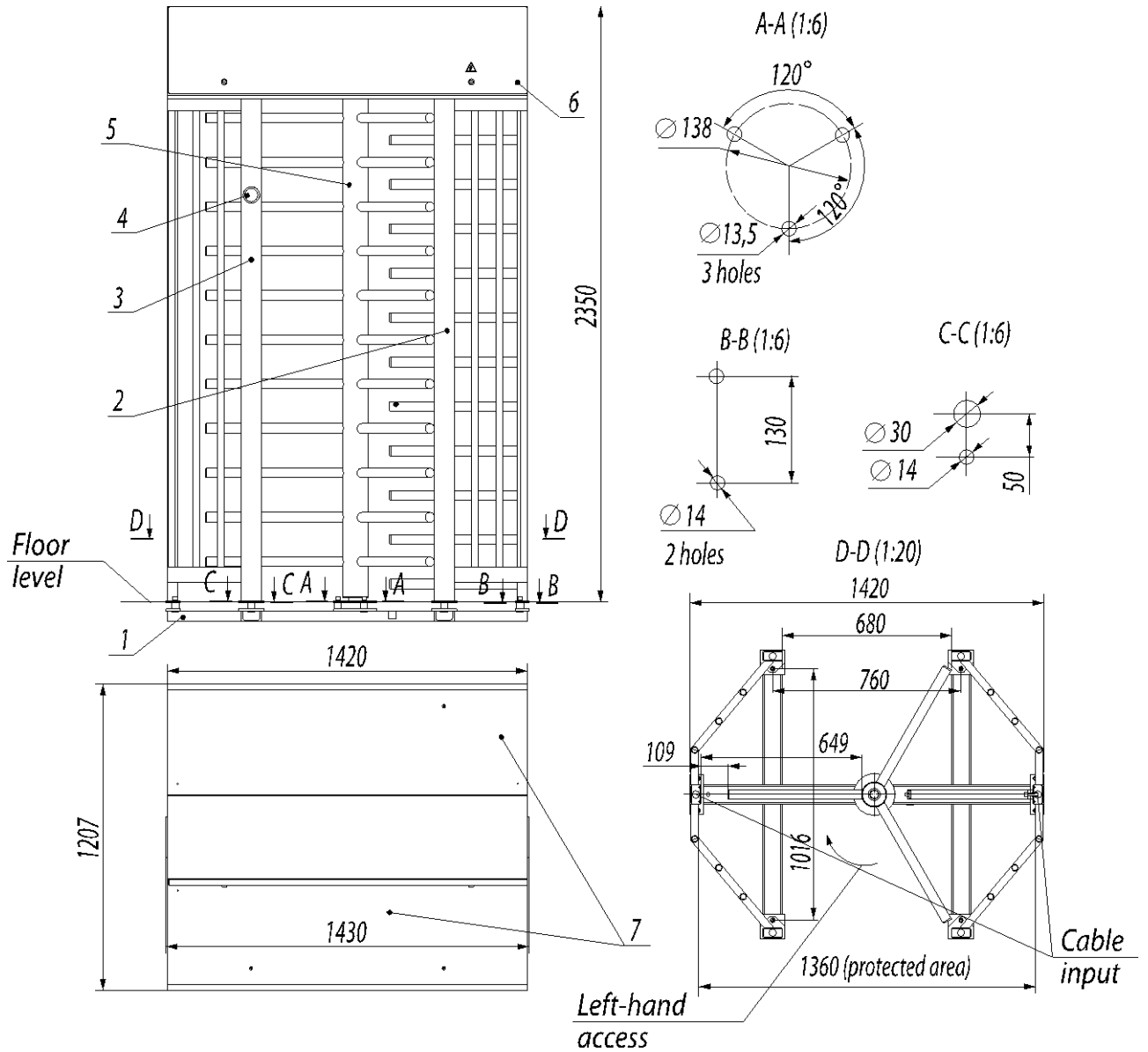
and is in conformity with requirements of the following EC Directives:

2004/108/EC; 2006/95/ EC; 2006/42/ EC



Appendix A

Design, overall and installation dimensions of Indoor Single Full-Height Turnstile

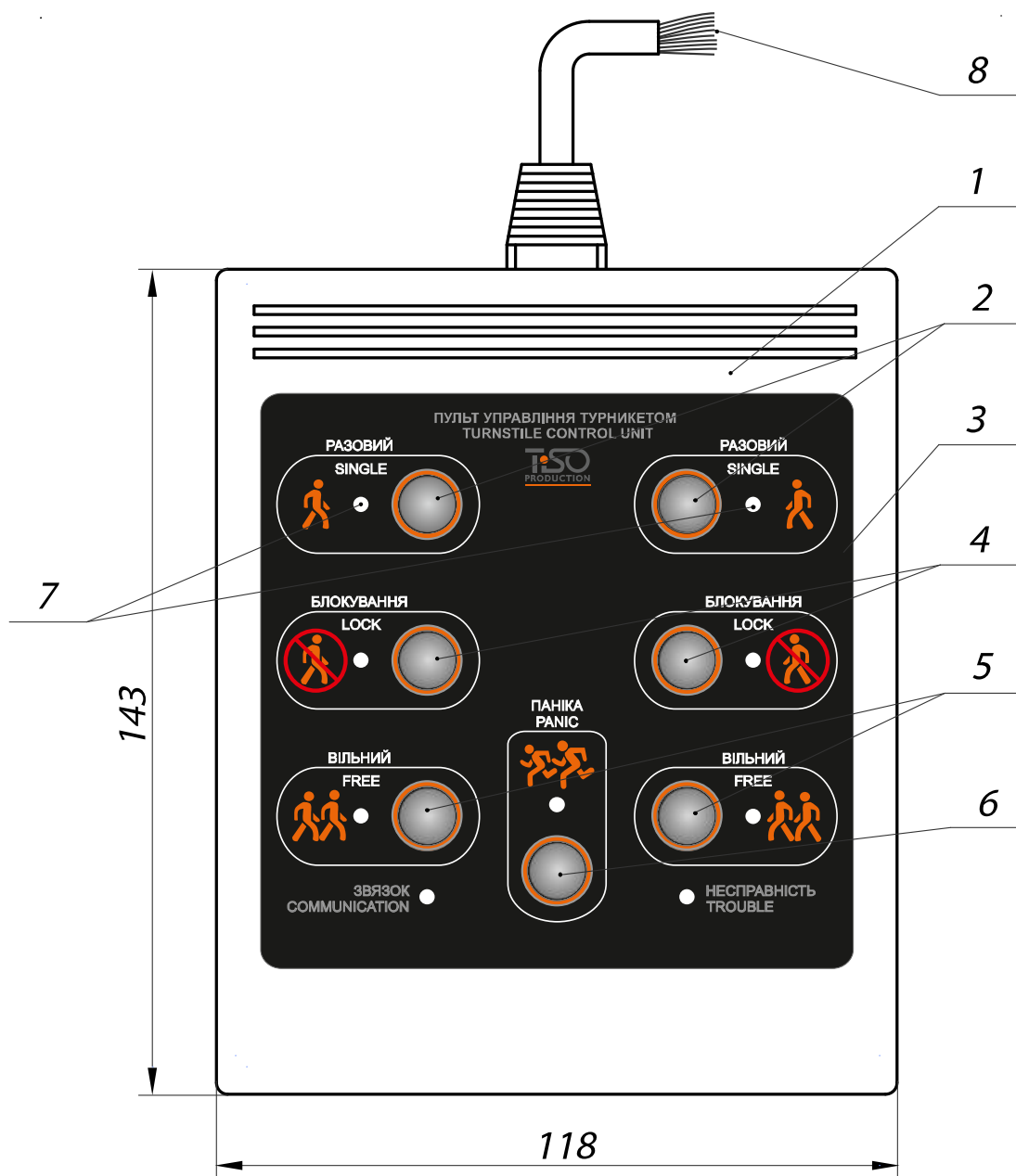


- 1 – frame;
- 2 – enclosure wall;
- 3 – passage wall;
- 4 – LED display;

- 5 – rotor;
- 6 – container;
- 7 – canopies

Figure A.1– Turnstile T1.1.BYO.XX

Appendix B
Control panel and connection diagram



- | | |
|--|--|
| 1 – housing; | 5 – «FREE ACCESS» mode control button; |
| 2 – «SINGLE ACCESS» mode control button; | 6 – «PANIC» mode control button; |
| 3 – front plate; | 7 – access direction LED display; |
| 4 – «LOCKING» mode control button; | 8 – controller connection terminals |

Figure B.1 – Control panel AUIA.114.02.00.00

Appendix B (continued)
Control panel and connection diagram

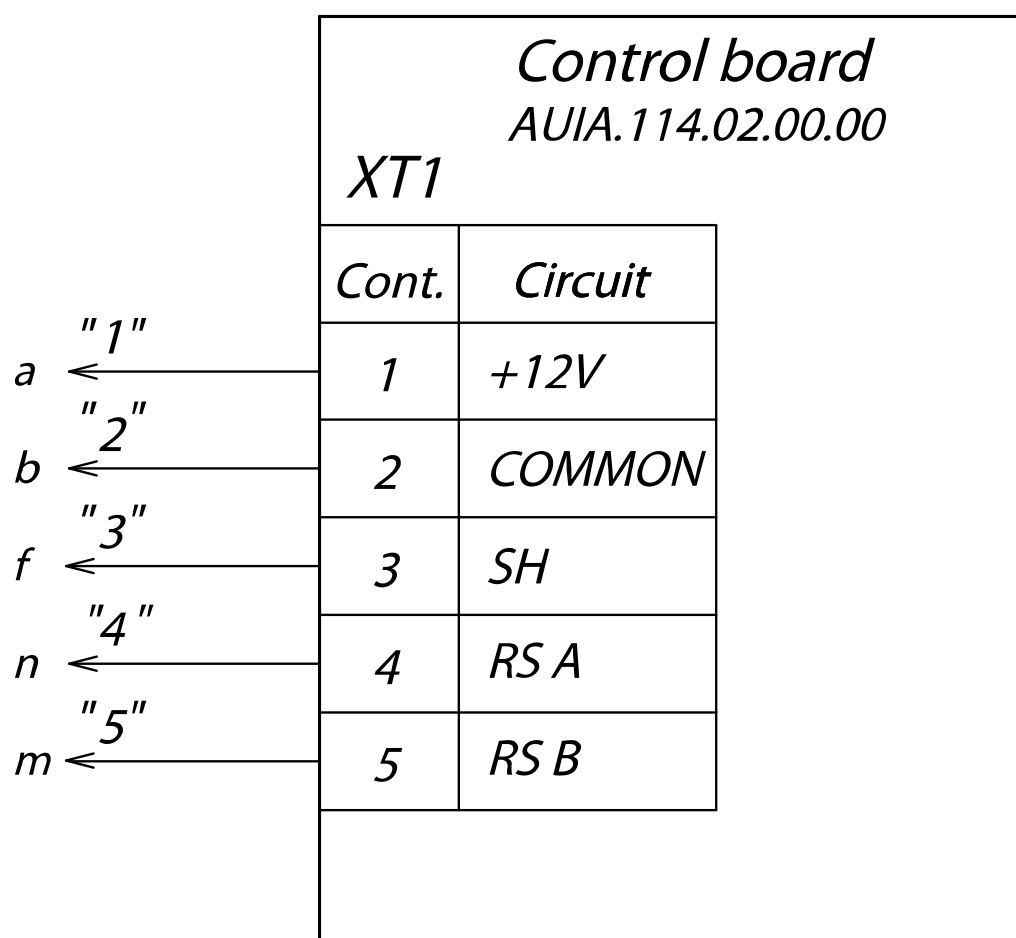


Figure B.2 – Connection diagram of the control panel
AUIA.114.02.00.00

Appendix C
Wiring Diagram of the turnstile

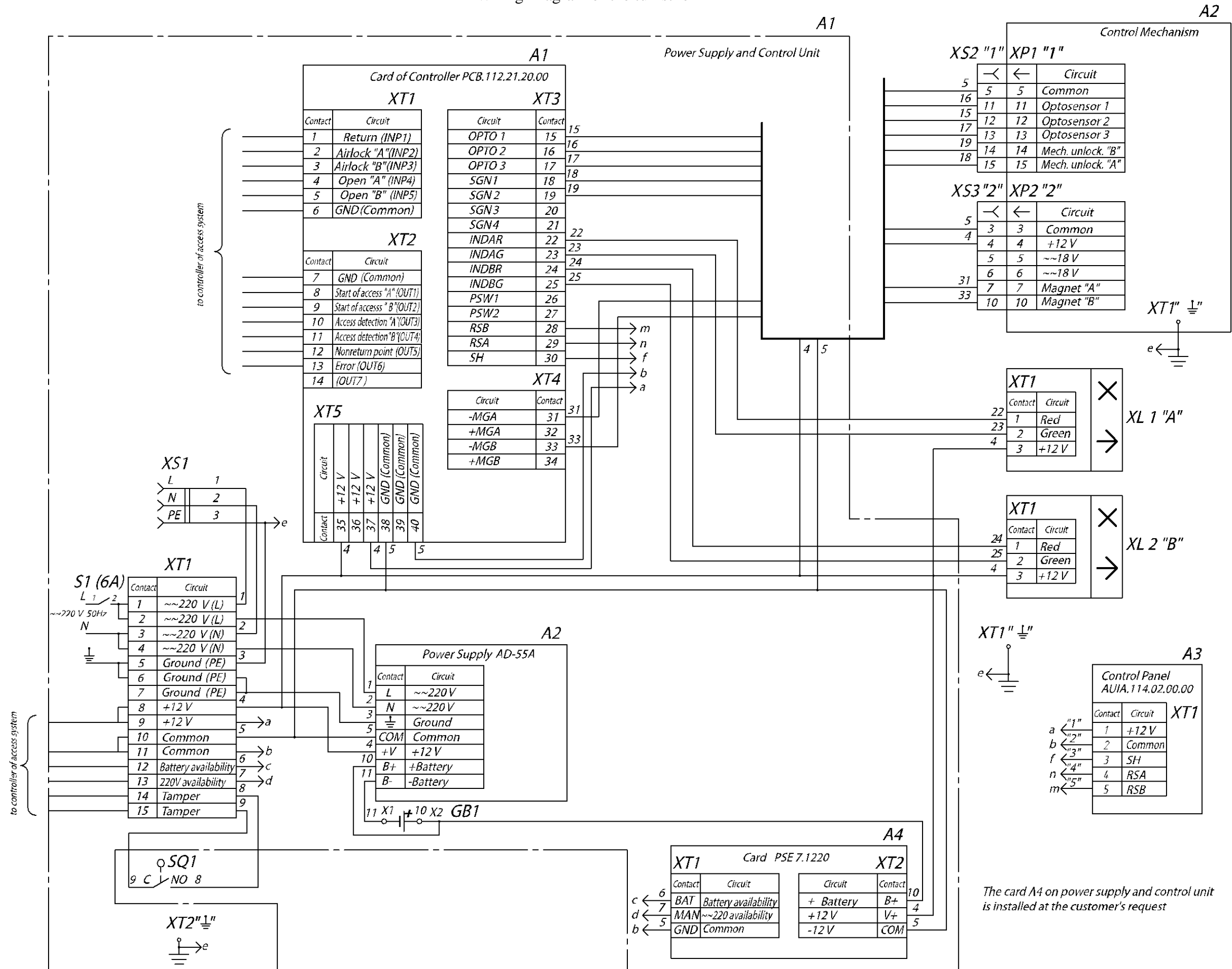


Figure C.1 – Wiring diagram of the turnstile